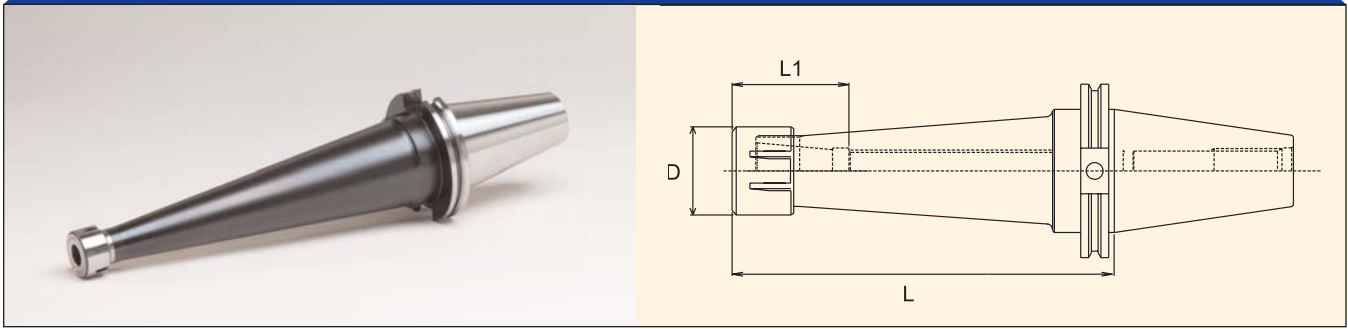


NEW EXTENDED LENGTH COLLET CHUCKS



Part Number	Taper	Collet Series	L	L1	D	Collet Range
C4047-0008	CT40	ER8	9.00"	0.51"	0.47"	.019-.196"
C4047-0016	CT40	ER16	9.00"	0.87"	1.26"	.019-.406"
C4047-0020	CT40	ER20	9.00"	1.06"	1.38"	.039-.511"
C4047-0032	CT40	ER32	9.00"	1.34"	1.97"	.078-.787"
C5057-0016	CT50	ER16	12.00"	0.87"	1.26"	.019-.406"
C5057-0020	CT50	ER20	12.00"	1.06"	1.38"	.039-.511"
C5057-0032	CT50	ER32	12.00"	1.34"	1.97"	.078-.787"
C5057-0040	CT50	ER40	12.00"	1.50"	2.48"	.118-1.023"